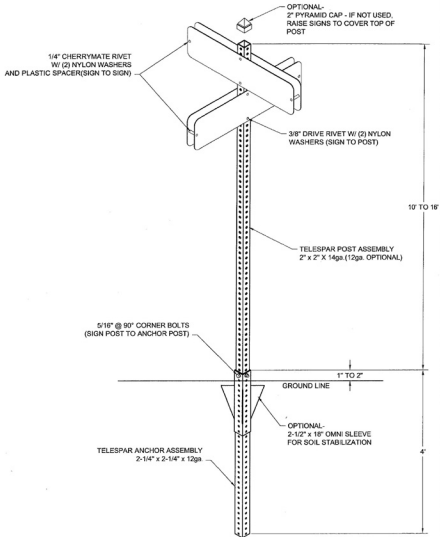


STREET NAME SIGN POST DETAIL



SCALE 1-12-06

APPROVED BY

DESIGNED BY: E. GARLAND

REVISED

DRAWING #
3034


 3D Specialties Inc.

FARGO
 BISMARCK
 MINOT

PHONE: (701) 237-8787 FAX: (701) 269-7811